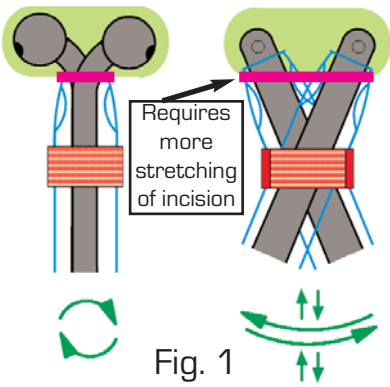


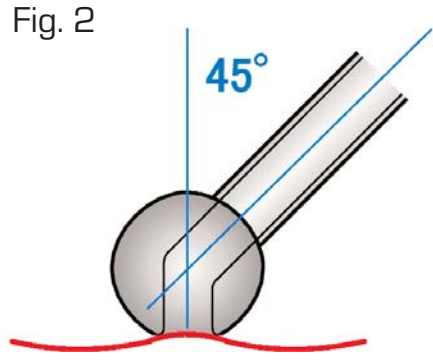


EYE ON TECHNOLOGY Mini Ball I/A Tips



Our Mini Ball I/A Tips feature a 1.1 mm ball tip that has been mirror polished for effective cortex management that is atraumatic to the capsular bag. The periphery of the 0.3mm port has also been highly polished so that the edges are smooth. The ball shape maximizes aspiration with less movement as compared to traditional I/A tips [Fig. 1].

In addition, the port is at a 45-degree angle so that the tip approaches the posterior capsule at 90-degrees [Fig. 2]. This allows the residual cortex to be removed completely while minimizing stress at the incision site. These tips are designed to fit through Alcon's MicroSmooth® Ultra sleeve. Available in three configurations based on doctor's preference: straight (AE7-3060), bent (AE7-3061), and curved (AE7-3062).



Designed with Takayuki Akahoshi, MD, Tokyo, Japan
MicroSmooth® is a registered trademark of Alcon Labs



ASICO LLC
26 Plaza Drive • Westmont, IL 60559 • USA
Phone: 630-986-8032 • Fax: 630-986-0065
Customer Service: 1-800-628-2879
www.asico.com • E-mail: info@asico.com

