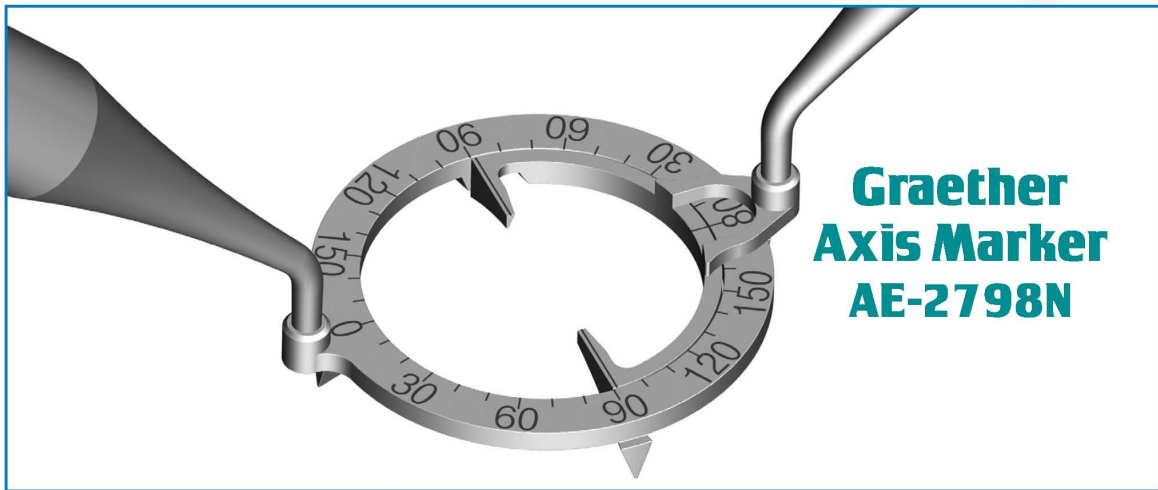


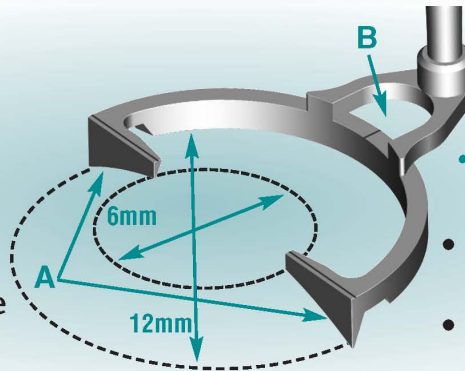
# Graether's New Toric System



**Graether  
Axis Marker  
AE-2798N**

## Part Axis Marker...

- 3mm marking extension at 3 and 9 o'clock (A)
- Unique notch at 6 o'clock (B) to align with axis, which is 90° off point given by Toric Calculator
- Fits precisely in the degree gauge for perfect marking alignment
- Can also potentially be used as a pre-op marker

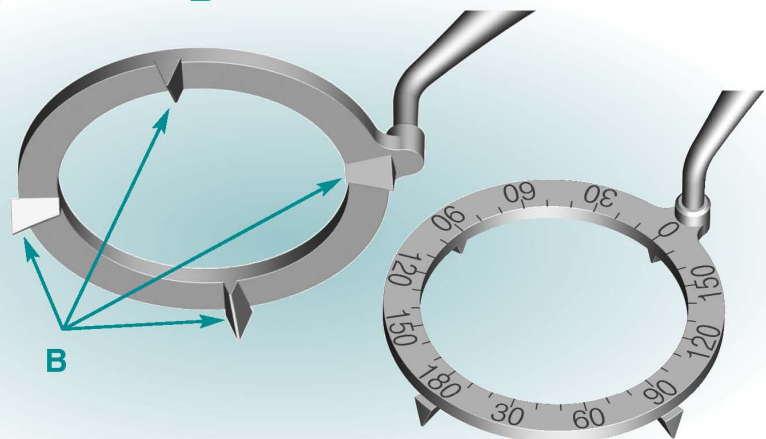


## ...Part Capsulorhexis Marker

- Doubles as a measurement for capsulotomy
- The intra-op marks provide a gap of 6mm; the ideal size for capsulotomy

## Graether Degree Gauge - AE-1594N

- ID: 12mm, OD: 16mm
- Four elevated extensions (B) on bottom – 0°, 90°, 180° and 270° which can be used as stabilizers or for putting clean Intra-Op markings on the eye.
- Can also potentially be used as a pre-op marker
- Degree markings are 10° apart



*The more you know...*<sup>TM</sup>

**ASICO**

Today's Precision...Tomorrow's Vision®

ASICO LLC  
26 Plaza Drive • Westmont, IL 60559 • USA  
Phone: 630-986-8032 • Fax: 630-986-0065  
Customer Service: 1-800-628-2879  
www.asico.com • E-mail: info@asico.com

