



Today's Precision... Tomorrow's Vision™

TORIC MARKING IN ONE STEP

AE-2799T: Neuhann One Step Toric Marker



"This design allows for fast, simple, and reliable marking."

- Tobias Neuhann, MD, Munich Germany



"Until now I thought handheld pendulum-supported cornea markers were a good choice. The great visibility of the AE-2799T absolutely changed that and makes corneal marking so much more convenient and precise for me and my patients."

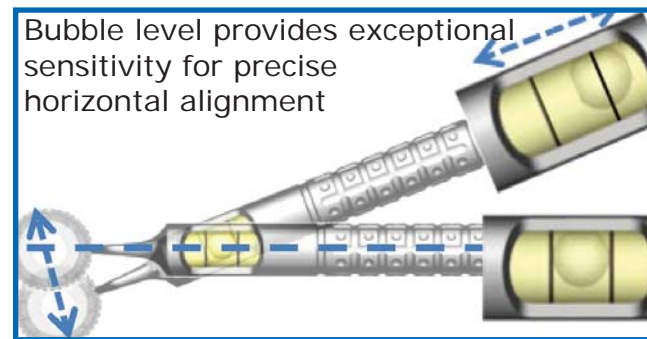
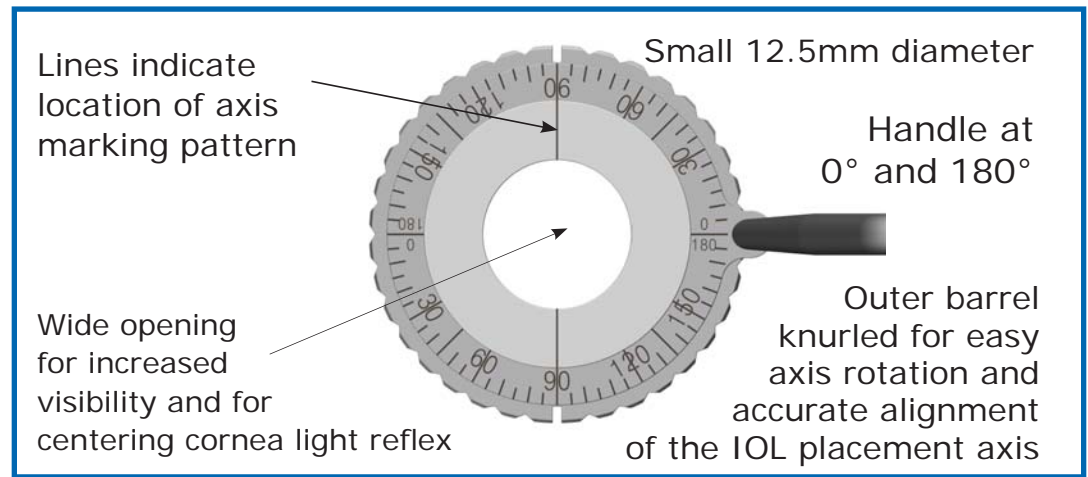
- Siegfried Priglinger, MD, Linz Austria



No pre-op marking required

Advantages

- Can be marked at slit lamp with or without the marking pen since the indentation lasts long enough into the epithelium
- Designed for all patients including those with small orbits
- Bubble level can be removed for easy sterilization



The more you know...™



ASICO LLC
 26 Plaza Drive • Westmont, IL 60559 • USA
 Phone: 630-986-8032 • Fax: 630-986-0065
 Customer Service: 1-800-628-2879
 www.asico.com • E-mail: info@asico.com
 © 2011 ASICO LLC

CE

BR482-11